

Gauges for oxygen and acetylene.



How to order:
M 06 01 + chosen options.

2. CONSTRUCTION / DESIGN

2.1. Design		UNE-EN 562
2.2. Mounting	x	Direct: Free standing on the radial/rear screwed connection
2.3. Degree of protection		IP 44 per EN 60529 / IEC 529

3. MATERIALS AND DIMENSIONS

3.1. Case		
3.1.1. Material		Carbon steel black coloured. With antiexplosion protection.
3.1.2. Nominal size	x	Ø50mm and Ø63mm
3.2. Bezel ring		
3.2.1. Material		Acrylic
3.2.2. Seal		Screwed.
3.3. Internal elements		
3.3.1. Materials		Elastic element and movements in copper alloy. Tin soft welding and copper alloy soldering for pressure under 40 bar and for pressures over 40 bar copper and silver alloy.
3.3.2. Structure		Elastic element: With "C" type for pressures up to 40 bar and in spring type for pressures over 40 bar. Totally rusty.
3.4. Screwed connection		
3.4.1. Material		Brass
3.4.2. Thread		1/4" BSP in accordance with UNE-EN 10226-1
3.5. Window		Acrylic. Window and ring all in one piece.
3.6. Dial		White lacquered aluminium. With top in the zero
3.7. Pointer		Aluminium anodized in black.

4. PRESSURE

4.1. Range	x	0+2,5 0+16 0+40 0+315
4.2. Scale		Scale in bar black coloured.
4.3. Subdivision		In accordance with EN 837-1
4.4. Accuracy/ Class		Class 2,5
4.5. Use conditions::		
4.5.1. Pressure conditions:		Steady: 3/4 of full scale value. Fluctuating 2/3 of full scale value. Maximum pressure: (for short time) Full scale value.
4.5.2. Operating temperature:		Ambient: -40+60°C Medium: 60°C maximum

5. OPTIONS

5.1. Antivibration system		No
5.2. Logotypes		Optional: Customer's logo printed

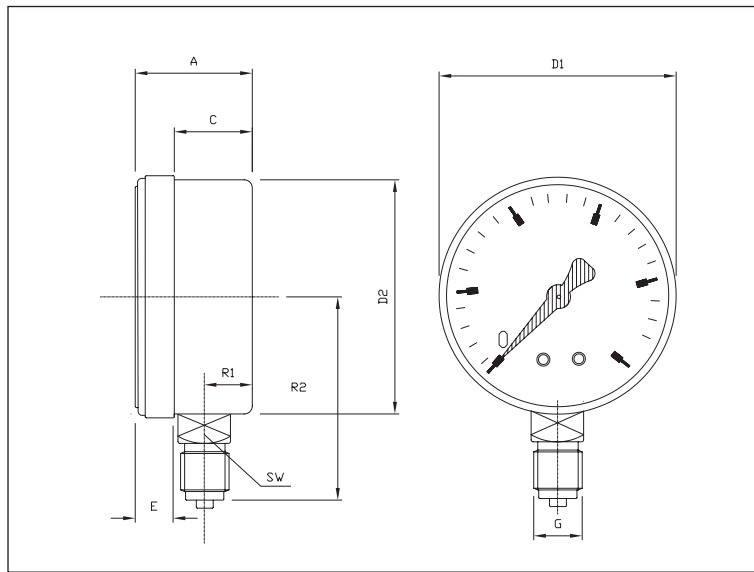


Fig. M 06 01 A (Radial)

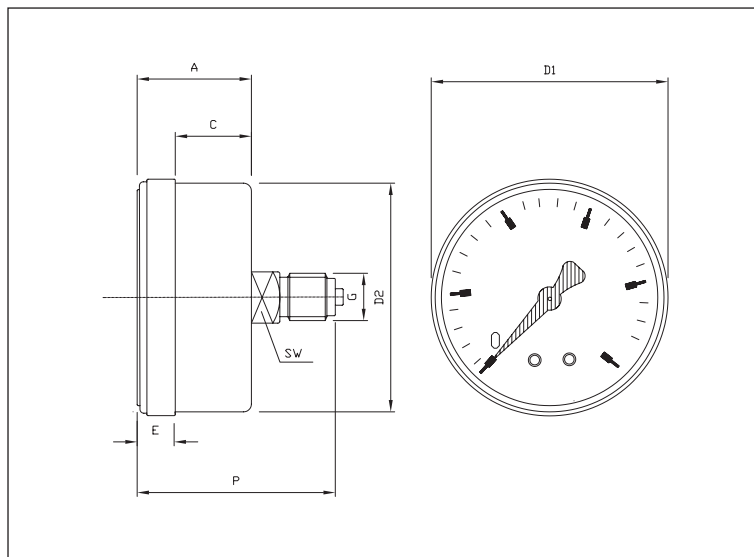


Fig. M 06 01 B (Back centred)

		DIMENSIONS (mm) (tolerances ± 1 mm)										WEIGHT (g)
DN	Connection	RI	A	C	D1	E	D2	G	R2	P	SW	
Ø50	Radial	10	28	17	57	12	52	1/4 BSP	46		14	93
Ø50	Rear		28	17	57	12	52	1/4 BSP		46	14	98
Ø63	Radial	10	29	17	66	12	61	1/4 BSP	53		14	118
Ø63	Rear		29	17	66	12	61	1/4 BSP		46	14	125