



How to order:
M 07 01 + chosen options.

2. CONSTRUCTION / DESIGN

2.1. Design		EN 837-1
2.2. Mounting	<input checked="" type="checkbox"/>	Direct: Free standing on the radial/rear screwed connection
2.3. Degree of protection		IP 44 per EN 60529 / IEC 529

3. MATERIALS AND DIMENSIONS

3.1. Case		
3.1.1. Material		Carbon steel black coloured.
3.1.2. Nominal size		Ø63mm
3.2. Bezel ring		
3.2.1. Material		Carbon steel black coloured.
3.2.2. Seal		Pressure sealed
3.3. Internal elements		
3.3.1. Materials		Elastic element and movements in stainless steel AISI 316L.
3.3.2. Structure		Elastic element: "C" type.
3.4. Screwed connection		
3.4.1. Material		Zinc coated steel
3.4.2. Thread		1/4" BSP in accordance with UNE-EN 10226-1
3.5. Window		Acrylic.
3.6. Dial		White lacquered aluminium
3.7. Pointer		Aluminium anodized in black.

4. PRESSURE

4.1. Range	<input checked="" type="checkbox"/>	-1+15 -1+25
4.2. Scale		Scale in bar black coloured and in °C for the refrigerant R717 (NH3).
4.3. Subdivision		In accordance with EN 837-1
4.4. Accuracy/ Class		Class 1,6
4.5. Use conditions::		
4.5.1. Pressure conditions:		Steady: 3/4 of full scale value. Fluctuating 2/3 of full scale value. Maximum pressure: (for short time) Full scale value.
4.5.2. Operating temperature:		Ambient: -40+65°C Medium: 60°C maximum

5. OPTIONS

5.1. Antivibration system		No
5.2. Logotypes		Optional: Customer's logo printed

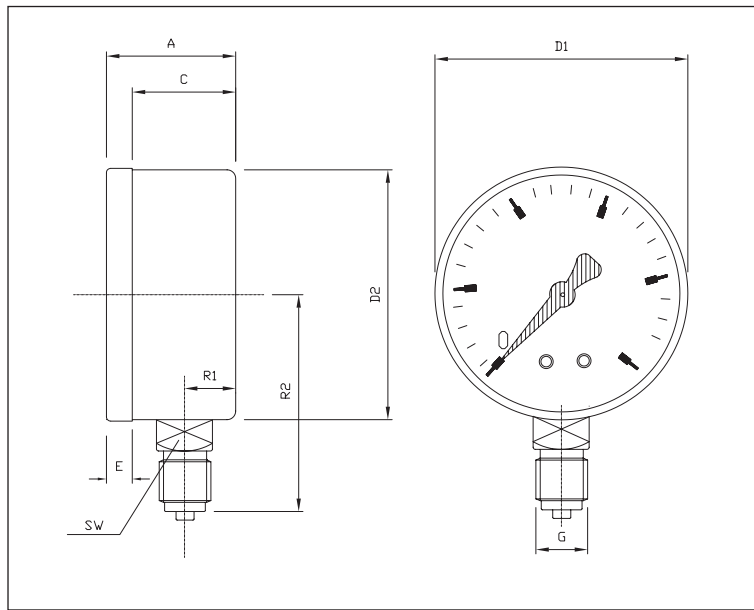


Fig. M 07 01 A (Radial)

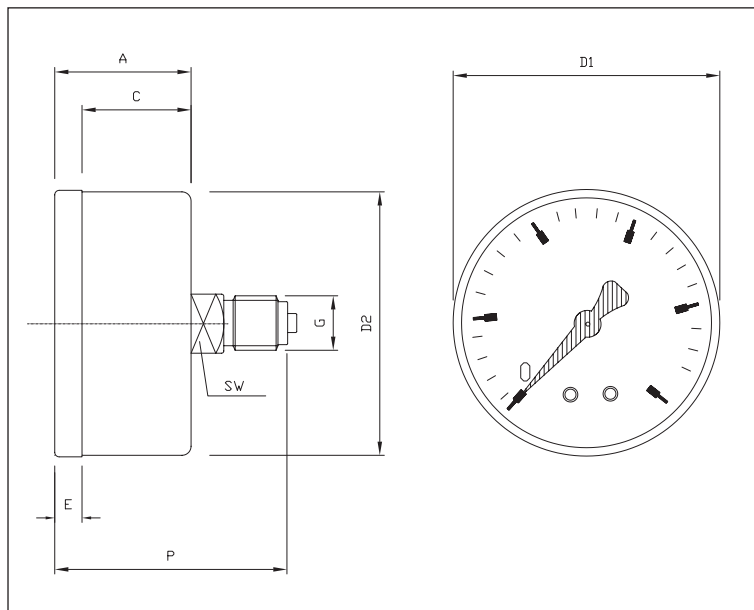


Fig. M 07 01 B (Back centred)

		DIMENSIONS (mm) (tolerances ± 1 mm)										WEIGHT (g)
DN	Connection	R1	A	C	D1	E	D2	G	R2	SW	P	
Ø63	Radial	11	28	18	63	10	62	1/4 BSP	52	14		122
Ø63	Rear		28	18	63	10	62	1/4 BSP		14	46	128