



How to order:
M 07 02 + chosen options.

2. CONSTRUCTION / DESIGN

2.1. Design		EN 837-1
2.2. Mounting	x	Direct: Free standing on the radial/rear screwed connection - For rear connection gauges: U-clamp or flange in stainless steel for panel mounting - For radial connection gauges: Flange is stainless steel for panel mounting
2.3. Degree of protection		IP 54 per EN 60529 / IEC 529

3. MATERIALS AND DIMENSIONS

3.1. Case		
3.1.1. Material		Polished stainless steel AISI 304. Pressure relief in case top.
3.1.2. Nominal size		Ø100mm
3.2. Bezel ring		
3.2.1. Material		Polished stainless steel AISI 304
3.2.2. Seal		Bayonet sealed
3.3. Internal elements		
3.3.1. Materials		Elastic element and movements in stainless steel AISI 316
3.3.2. Structure		Elastic element: "C" type.
3.4. Screwed connection		
3.4.1. Material		Stainless steel AISI 316
3.4.2. Thread		1/2" BSP in accordance with UNE-EN 10226-1
3.5. Window	x	Methacrylate or laminated safety glass.
3.6. Dial		White lacquered aluminium. With top in the zero
3.7. Pointer		Aluminium anodized in black. With micrometric regulation

4. PRESSURE

4.1. Range	x	-1+15 -1+25
4.2. Scale		Scale in bar black coloured and in °C for the refrigerant R717 (NH3).
4.3. Subdivision		In accordance with EN 837-1
4.4. Accuracy/ Class		Class 1,0
4.5. Use conditions::		
4.5.1. Pressure conditions:		Steady: 3/4 of full scale value. Fluctuating 2/3 of full scale value. Maximum pressure: (for short time) Full scale value.
4.5.2. Operating temperature:		Ambient: -40+65°C Medium: 60°C maximum

5. OPTIONS

5.1. Antivibration system		No
5.2. Logotypes		Optional: Customer's logo printed
5.3. Other connection threads		3/8" BSPT 1/2" BSPT M20x1,5

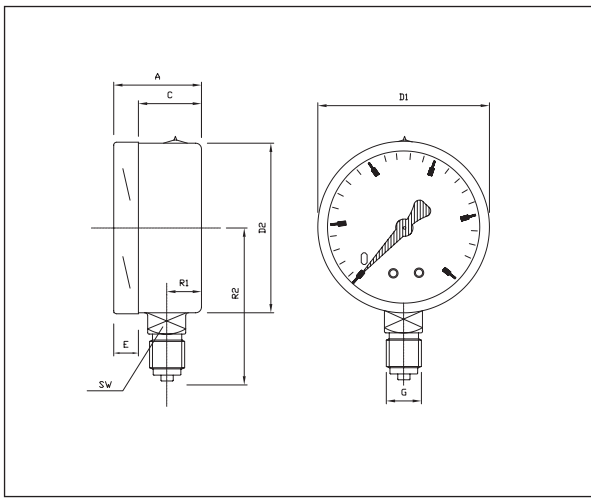


Fig. M 07 02 A (Radial)

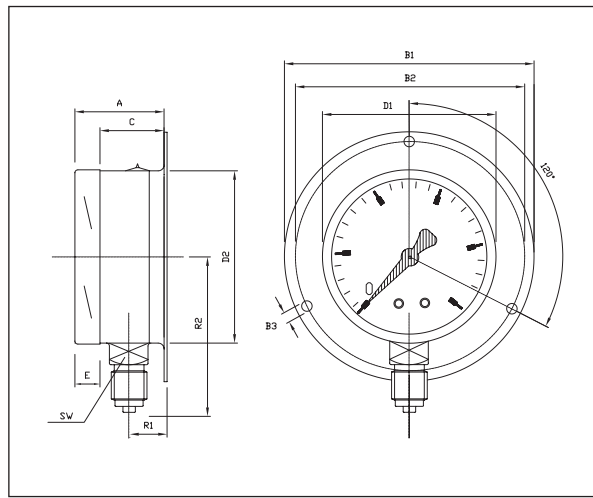


Fig. M 07 02 B (Radial with back flange)

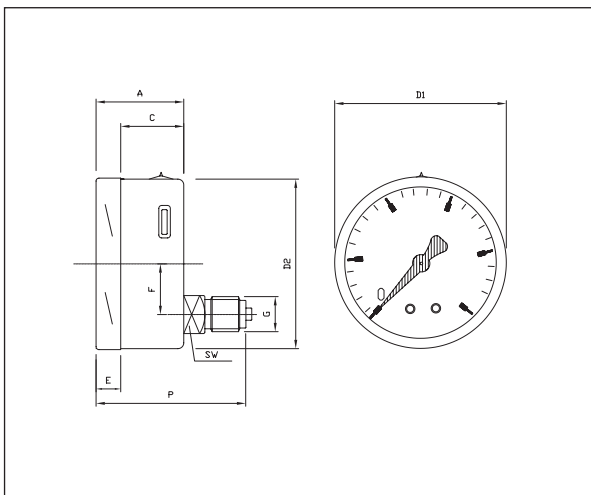


Fig. M 07 02 C (Back eccentric)

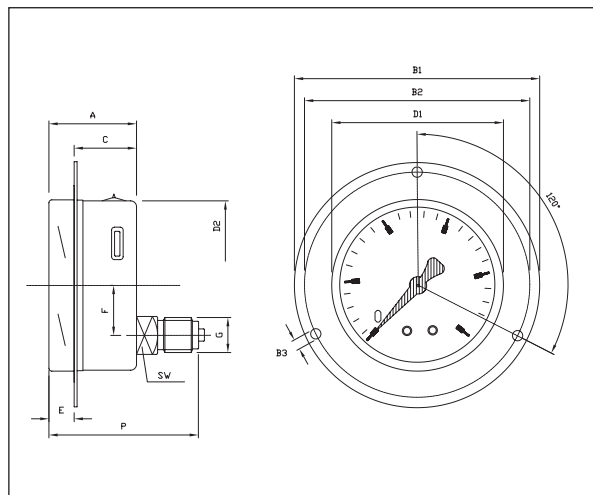


Fig. M 07 02 D (Back eccentric with front flange)

		DIMENSIONS (mm) (tolerances ± 1 mm)											WEIGHT (g)		
DN	Connection	RI	A	C	D1	E	D2	G	R2	SW	P	B1		B2	B3
Ø100	Radial	16	49	32	101	17	99	1/2 BSP	83	22		132	124	5	545
Ø100	Rear		49	32	101	17	99	1/2 BSP		22	86	132	124	5	566